



Installation and technical manual

ISP-Design & ISP –Design S (Mirror) with receiver „RF“



GB

ISP-Design 350 – 1200
ISP-Design S 350 - 750

Nr. 911 360 661

Edition: 02/17

1. Important Safety instructions

- People (including children) who are limited in their physical, sensory, or mental capacities should not use this device at any time. Furthermore do not handle this instrument if you do not possess the necessary experience and knowledge to do so. This device should only be handled under the supervision of a qualified person and after a thorough introduction.
- Do not leave children alone with the device, and supervise them at all times to keep them from getting harmed.
- **WARNING: Do not cover! Otherwise this instrument will overheat.**
- Do not place the heater underneath a socket, drainage or the like.
- To keep from getting burned, do not touch heater's surface whenever it is turned on.
- Please use the handle whenever you have to move the heater.
- Do not put the cord underneath the carpet or a rug and make sure that it is not a tripping hazard
- Plug the heater into properly grounded sockets only.
- Do not use the heater in any other way than described in the user manual. Any other way of use may lead to fire, electrocution, and may cause serious harm to the person.
- Do not use this device near bathtubs, showers or swimming pools.
- In case the connection cable is damaged it has to be replaced by the manufacturer or someone commissioned by the manufacturer.

WARNING: Do not use a switching-oriented device, like a timekeeper, when operating this heater. This could cause a change in the thermal adjustment which is potentially hazardous!

- To keep the device from overheating do not put towels or clothing on top.
- When using the heater, make sure it is in an upright position and positioned on an even and dry place.
- Do not put any foreign objects into the vent. This may cause electrocution, fire or damage to the heater.
- Do not use an extension cord unless approved by an electrician.
- This device is for private use only, do not use in any other way than intended by the manufacturer.
- Do not use the device near curtains, highly combustible, extremely explosive or malleable materials.
- Keep a distance of at least 1.0 m between combustible materials- like furniture, cushions, bedding, paper, clothing, curtains-and the heating device.
- Do not use the device in rooms where petrol, paint or any other flammable liquids are stored.
- Do not use the device outside.



Warning! This device has to be grounded

This device may only be operated using alternating current and the operating voltage indicated on the power rating plate

- Nominal Voltage 230V AC, 50 Hz
- Protection class I
- Receiver (RF-model) 7°C till 30°C
- Power 350W up to 750W

WARNING - THIS APPLIANCE MUST BE GROUNDED

We hope you enjoy using infrared radiating panel.

ISP-Design W (white glas plate)

ISP-Design B (black glas plate)

ISP- Design M (mokka glas plate)

ISP-Design S (Mirror glas plate)



Prior to commissioning, please inform yourself about proper installation, commissioning, operation and maintenance.

Below we give the necessary information:

The installation and electrical connection must be carried out by a qualified electrician.

The panels are designed for wall mounting only!

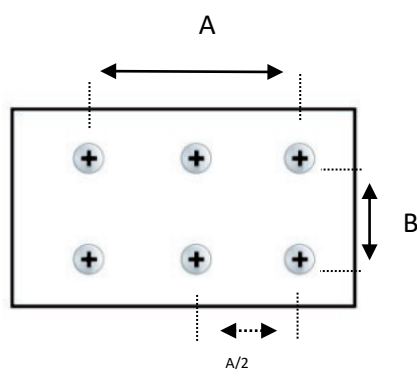


Wall mounting only! No ceiling mounting allowed!

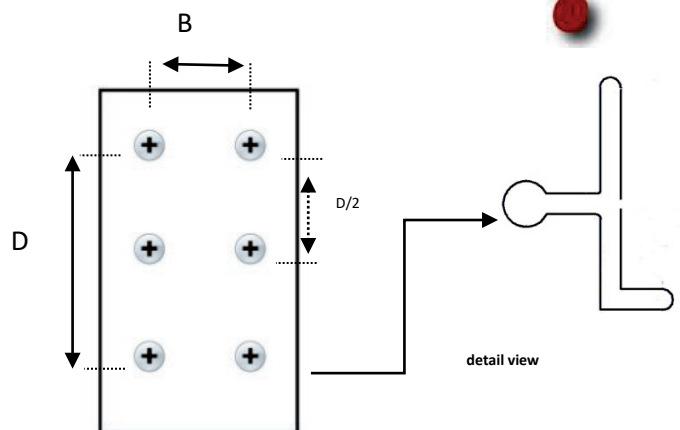
The plate can be mounted horizontally or vertically. Drill mounting holes as indicated in pic. 1 (horizontally) or as in pic.2 (vertically). The pack contains 4 (6 screws for the models ISP Design 600 /S 600 till 1200/S750 & ISP Design 501 till 851)) fixing screws 6 x 70 mm.

To mounting the unit using all 4 (6) anchors. The recommended dowel size is 10 mm (not included).

The dimensions A and B are pitches of the holes to be drilled.



pic: 1



pic: 2

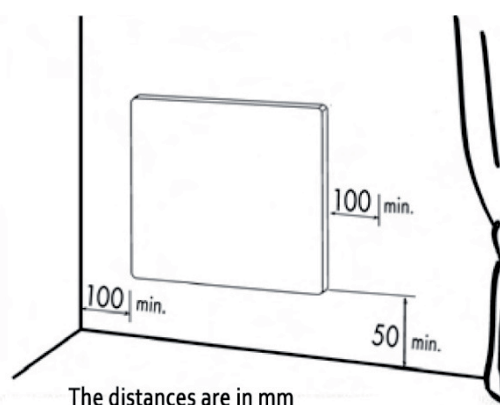
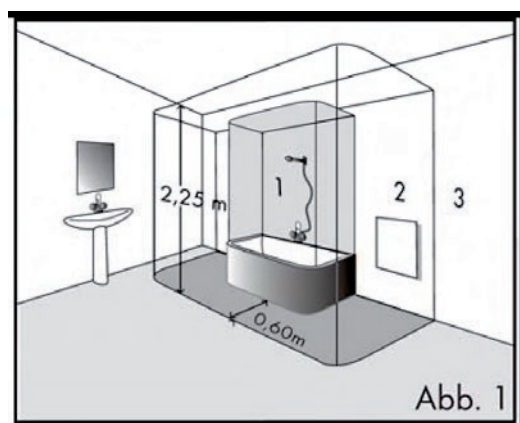


all models with 690 mm width incl. RF	drill spacing holes					
	A [mm]		B [mm]	C [mm]	D [mm]	
ISP Design 350 ISP Design S 350	324		360	360	324	
ISP Design 450	624		360	360	624	
ISP Design 600 ISP Design S 600	624	A/2 = 312	360	360	624	D/2 = 312
ISP Design 750 ISP Design S 750	924	A/2 = 462	360	360	924	D/2 = 462
ISP Design 950	1224	A/2 = 612	360	360	1224	D/2 = 612
ISP Design 1200	1524	A/2 = 762	360	360	1524	D/2 = 762

all models with 454 mm width incl. RF	drill spacing holes					
	A [mm]		B [mm]	C [mm]	D [mm]	
ISP Design 351	624		240	240	624	
ISP Design 501	924	A/2 = 462	240	240	924	D/2 = 462
ISP Design 651	1224	A/2 = 612	240	240	1224	D/2 = 612
ISP Design 851	1524	A/2 = 762	240	240	1524	D/2 = 762

Distances

The distance between the lower edge of the heater from the floor must be at least 50 mm, 150 mm are recommended. Side distance, for example, to furniture must be at least 100 mm. In bathrooms, the heating plate is in compliance with the standard VDE 100 / T701 to install. It can be mounted as shown in Abb.1 from field 2 (range 1 is not allowed!)



Electrical Connection

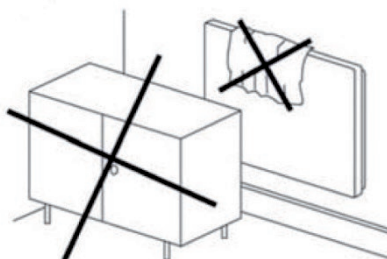
The ISP heating panel is equipped plug.

It is always a residual current circuit breaker for use with an operating current of 30 mA maximum. If the supply cord of this appliance consumption is damaged, it must be replaced by the manufacturer or a service technician.

Operation of the ISP heating panels

It is recommended that the control of the ISP heating panels by an external room thermostat from TECHNOTHERM (eg. radio receiver TPF or with the digital radio transmitter TBF. In addition, the ISP heating panels are equipped with a limiting thermostat to ensure their safe

WARNING: DO NOT COVER THE HEATER



Technical data:

model width 690 mm	power [Watt]	W x H x D [mm]	weight	Model width 690 mm	power [Watt]	W x H x D [mm]	weight
Design-W/B/M 350	350	730 x 690 x 20	14,8	Design-W/B/M 350 RF	350	730 x 690 x 20	14,8
Design-S 350	350	650 x 650 x 20	15,0	Design-S 350 RF	350	650 x 650 x 20	15,0
Design-W/B/M 450	450	1030 x 690 x 20	17,5	Design-W/B/M 450 RF	450	1030 x 690 x 20	17,5
Design-W/B/M 600	600	1330 x 690 x 20	23,0	Design-W/B/M 600 RF	600	1330 x 690 x 20	23,0
Design S 600	600	1250 x 650 x 20	23,0	Design S 600 RF	600	1250 x 650 x 20	23,0
Design-W/B/M 750	750	1330 x 690 x 20	23,0	Design-W/B/M 750 RF	750	1330 x 690 x 20	23,0
Design S 750	750	1250 x 650 x 20	23,0	Design S 750	750	1250 x 650 x 20	23,0
Design-W/B/M 950	950	1630 x 690 x 20	26,0	Design-W/B/M 950 RF	950	1630 x 690 x 20	26,0
Design-W/B/M 1200	1200	1930 x 690 x 20	29,0	Design-W/B/M 1200 RF	1200	1930 x 690 x 20	29,0
model width 545 mm	power [Watt]	W x H x D [mm]	weight	Model width 545 mm	power [Watt]	W x H x D [mm]	weight
Design-W/B/M 351	350	1050 x 454 x 20	14,0	Design-W/B/M 351 RF	350	1050 x 454 x 20	14,0
Design-W/B/M 501	500	1350 x 454 x 20	18,0	Design-W/B/M 501 RF	500	1350 x 454 x 20	18,0
Design-W/B/M 651	650	1650 x 454 x 20	22,0	Design-W/B/M 651 RF	650	1650 x 454 x 20	22,0
Design-W/B/M 851	850	1950 x 454 x 20	26,0	Design-W/B/M 851 RF	850	1950 x 454 x 20	26,0

W = white | B = black | M= mokka | S = mirror

„RF“: Units are supplied with preassembled radio receiver

Connecting the recipient (only with the "RH" models)

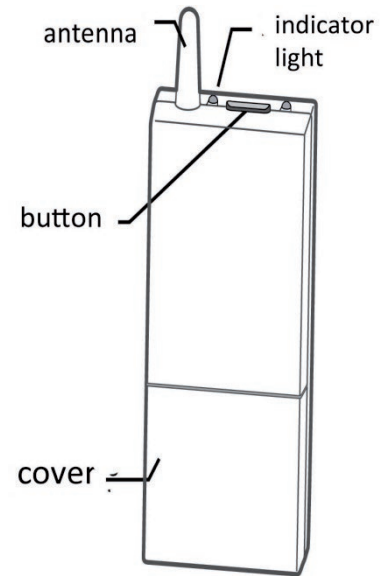
Press on the receiver for more than 3 seconds the button until the indicator light begins to flash. Then attach the transmitter in configuration mode (see manual transmitter). If the indicator light on the receiver stops flashing, the two products are assigned.

Disconnect the receiver

To delete all associated products you press the receiver button for about 30 seconds until the indicator light flashes briefly. All channels are now deleted!

Technical data's of the receiver „RF“

- power supply 230 V, 50 Hz +/-10%
- protection class II
- consumption: 0,5 V
- switching capacity max.: 16 A 230 V_{eff} Cos φ = 1
- radio frequency 868 MHz (Norm EN 300 220),
- radio range up to 300 m (outdoor), indoor up to 30 m, depending of structural factors and electromagnetic interference.
- maximum number of recipients: 8 units
- temperature range: -5°C to +50°C
- dimensions: 120 x 54 x 25 mm
- IP 44 - IK 04



Switching from X3D to X2D and vice versa:

X2D for TPF/TBF

X3D for TPF-Eco

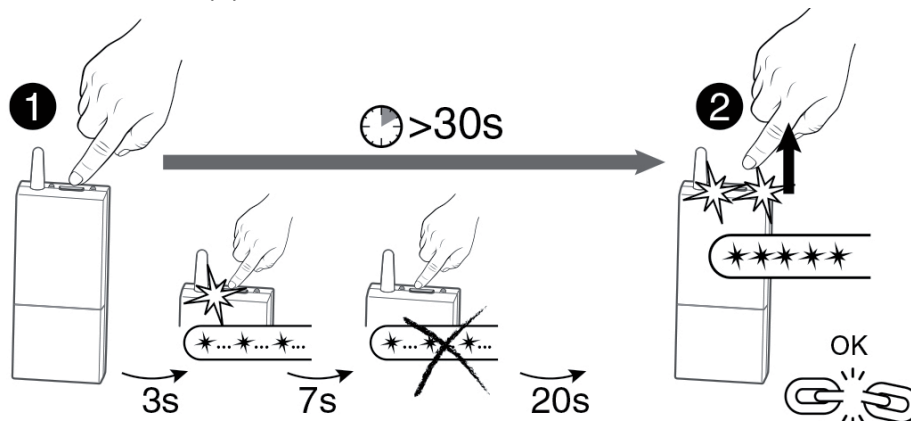
1) Before the changeover, the assignment to the thermostat must be cleared.

Press and hold for 30 seconds (1):

after 3 seconds, the LED flashes slowly.

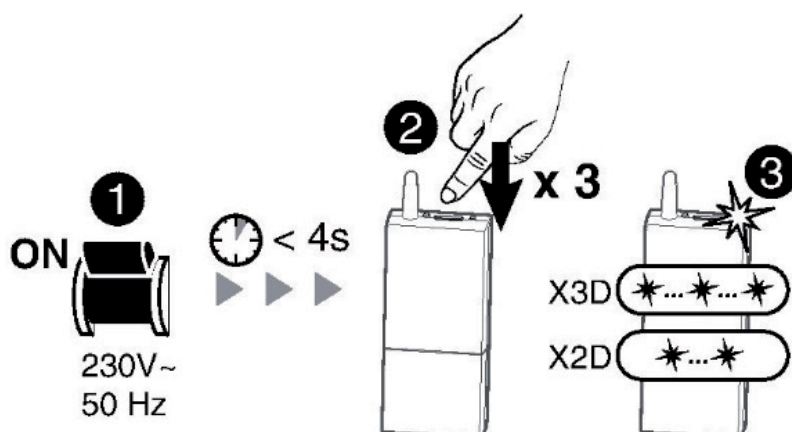
after 7 seconds, the LED flashes quickly. Keep the receiver button pressed until both LEDs flash.

Release the button (2).



2) Changeover

When switching on the installation (1), you have 4 seconds to press 3 times the receiver button (2). The LED flashes (3): 2 times for X2D, 3 times for X3D.



TECHNOTHERM support:

Fon: +49 (0) 911-93 78 32 10

Errors and technical modifications reserved!

Lucht LHZ Elektroheizung GmbH & Co. KG
Reinhard-Schmidt-Str. 1
09217 Burgstädt
Fon: 03724 66869 0
Fax: 03724 66869 20
E-mail: info@technotherm.de

